

BGDSF FIXED HEAD PAD DOCK SEAL

FEATURES AND SPECIFICATIONS

Designed to suit 8' x 8' door openings, the BGDSF creates a tight, energy-efficient seal that keeps the loading dock area clean and safe while cargo handling takes place. It is a recommended solution when full access to the back of the trailer is not required.

After the trailer is positioned at the dock, two side pads and one head pad, all constructed from 99% memory foam, eliminate the gap between the building wall and the vehicle. Standard units seal trailers 12' to 13' high on a typical 4' dock height.

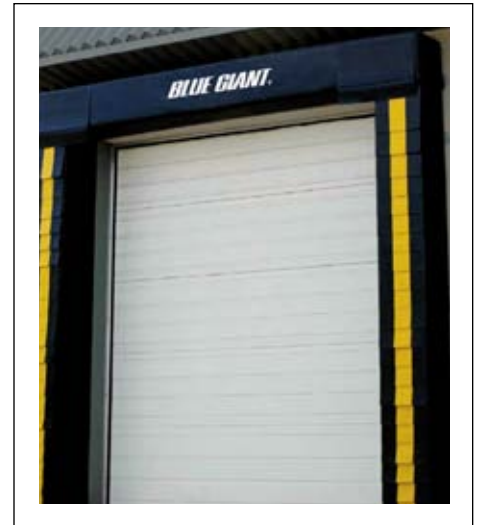
STANDARD FEATURES:

- 10" projection
- 22 oz. Hi-Tear vinyl base fabric
- High visibility 24" yellow guide stripe
- Waterproof wraparound design with vapor barrier
- Compression release holes
- Condensation draining vents
- 99% memory foam
- Galvanized mounting hardware

For maximum value and performance, the BGDSF can be constructed from our premium durability fabrics (see chart for materials, weights, and available colors).

ADDITIONAL OPTIONS INCLUDE:

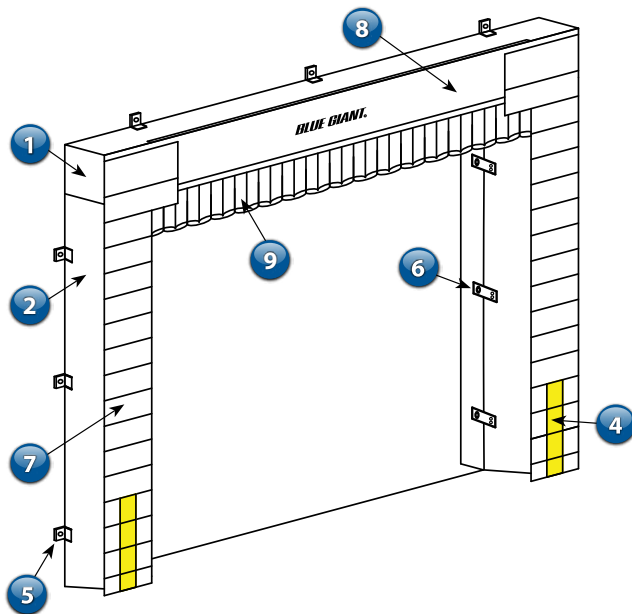
- 18" high head pad to seal trailers up to 13.5' high
- 4", 8" or 16" wear flaps / pleats to suit site requirements
- 12" PVC drop curtain to enable a more effective seal for lower trailers
- Pressure-treated lumber
- Steel backer



BGDSF Fixed Head Pad Dock Seal

FABRIC AND COLOR SELECTION:

| | | | | |
|-----------------------------|---|---|---|---|
| 22oz Hi-Tear Vinyl | ■ | ■ | ■ | ■ |
| 40oz Hi-Tear Vinyl | ■ | ■ | ■ | ■ |
| 50oz Hi-Tear Vinyl | ■ | | | |
| 16oz Hi-Performance Hypalon | ■ | | | |
| 40oz Hi-Performance Hypalon | ■ | | | |



| No. | DESCRIPTION |
|-----|-----------------------------------------------------|
| 1 | Head pad |
| 2 | Side pad |
| 3 | Wood backboard – Kiln dried † |
| 4 | 4" x 24" yellow guide stripes |
| 5 | Angle bracket |
| 6 | Flat bracket |
| 7 | Wear flaps / pleats* |
| 8 | Double layer of fabric for reinforcement* |
| 9 | 8" Low temperature PVC drop curtain c/w 4" overlap* |

*Some items displayed may be optional
† Not shown on drawing

BLUE GIANT
BLUE GIANT EQUIPMENT CORPORATION

Corporate 85 Heart Lake Road South
Brampton, ON, Canada L6W 3K2
t 905.457.3900 f 905.457.2313

USA 6350 Burnt Poplar Road
Greensboro, NC 27409
www.BlueGiant.com

SS-BGDSF-092414

Blue Giant offers a full line of dock levelers, dock safety equipment, seals and shelters, accessories, ergonomic and scissor lift equipment and industrial trucks. Concurrent with our continuing product improvement program, specifications are subject to change without notice. Please contact Blue Giant for latest information. Some features illustrated may be optional in certain market areas.